

Replacing the Separating Knife

If the separating knife becomes dull, replace it with the included replacement knife.

⚠ WARNING

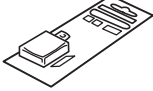
Be sure to perform operations as specified by the instructions, and never touch any area not specified in the instructions.

Sudden movement of the machine may cause injury.

⚠ CAUTION

Do not touch the tip of the separating knife.

Doing so may result in injury.

Required item

Replacement blade for separating knife

Procedure

1. Remove any media.

2. Tap .



3. Tap [Maintenance]>[Separating Knife Replacement].
The [Separating Knife Replacement] screen appears.

4. Tap [Execute].
The cutting carriage moves to a position where separating knife replacement is possible.

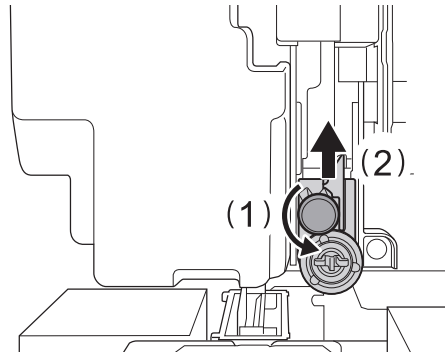
5. When [Open the front cover.] appears, open the front cover.

MEMO

The procedure is displayed on the operation panel.

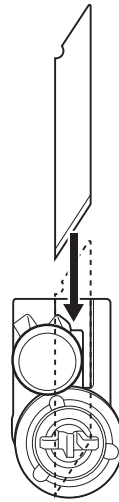
- Tap  or  to check the procedure.
- If you complete the work without viewing the instructions, tap [Finish All].

6. Remove the separating knife.
 - (1) Loosen the screw until it slips out.
 - (2) Grasp the screw portion, and slowly pull in the direction of the arrow.
When doing this, do not pull it back toward you.

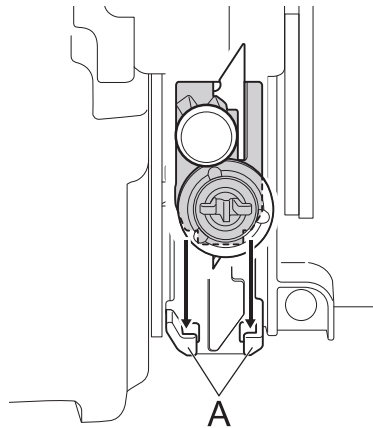


7. Install a new knife.

Slide the knife, as far as it will go, to align it with the groove.



8. Slowly insert the knife into the groove (A).

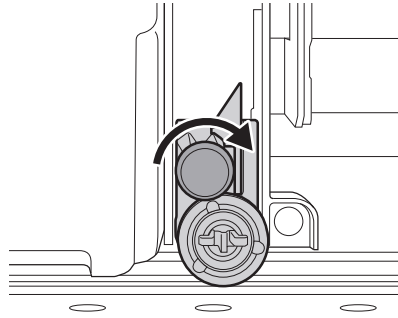



9. Tighten the screw.

Take care to ensure that the knife does not slip out of position at this time.

MEMO

Do not overtighten the screw.



10. When the separating knife replacement is finished, tap [Finish All].
11. When [Close the cover.] appears, close the front cover.
When you close the front cover, you are returned to the original screen.
12. Tap  to go back to the original screen.